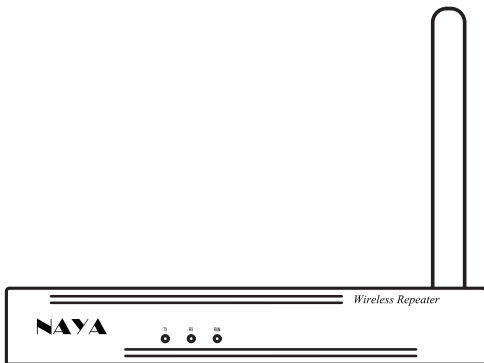




User's manual of indoor repeater **PNI-RP2700**



Please keep the manual for reference

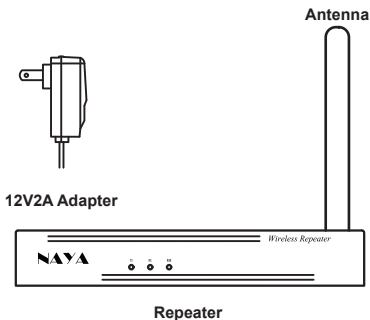
Content

1 Check the items in the package	3
2 Parts introduction	3
2.1 Front panel	3
2.2 Back panel	3
3 Basic operation	4
4 Using instructions of single repeater networking	5
5 Using instructions of multi-repeaters networking	6
6 LAN networking diagram of multi-repeaters	7
7 WAN networking diagram of multi-repeaters	8
8 Maintenance and cleaning	9
8.1 Maintenance	9
8.2 Cleaning	9
9 Quality commitment and maintenance terms	9
10 No-warranty policy	10
11 Warranty card	11

1 Check the items in the package

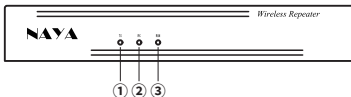
◆ The package contains the following items, if any damage or loss, please contact Naya or the dealer you purchased from.

No.	Item	Q'ty
①	Indoor repeater	1
②	Manual	1
③	Antenna	1
④	Adapter	1



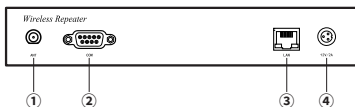
2 Parts introduction

2.1 Front panel



No.	Item	Description
①	TX indicator	Flashes when the signal is transmitted
②	RX indicator	Flashes when the signal is received
③	RUN indicator	Flashes after powering on the device

2.2 Back panel

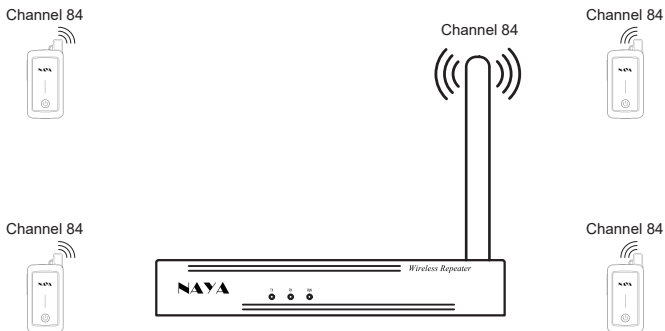


No.	Item	Description
①	Antenna interface	SMA antenna interface
②	COM interface	RS232 interface, to connect computer for configuration of repeater
③	LAN port	To connect multi-repeaters via TCP/IP networking
④	Power interface	12V adapter interface, 12V power apply

3 Basic operation

- ◆ Step 1: Install antenna, and turn it clockwise until tightened.
- ◆ Step 2: Plug in the 12V adapter to power it and wait for the RUN to light up.
- ◆ Step 3: Open the handheld and select the corresponding channel to start the call.

4 Using instructions of single repeater networking



Note: The channel layout in this manual is for the installation solution reference only.

- ◆ The default channel of the repeater in the single relay mode is 84, corresponding to the channel 84 of the handheld terminal. After the repeater is powered on, the handheld terminal switches to the channel 84 for call, without any settings.
- ◆ The number of handheld terminals in single relay mode is unlimited, and up to 8 people can speak at a time, which can be heard by other people.
- ◆ If the repeater has wireless relay enabled, up to 4 people can speak at the same time.



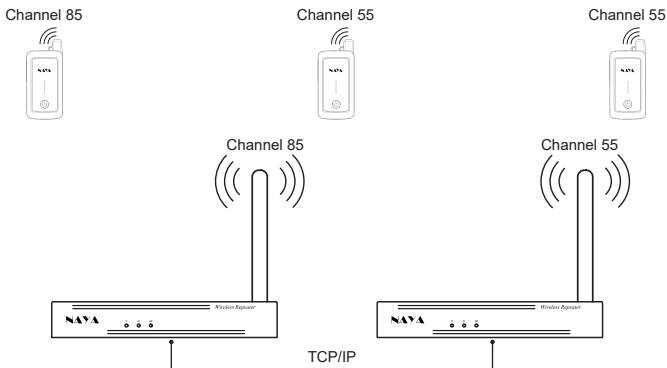
Please read the manual carefully before using

Website: <http://www.nayatec.com>

Manufacturer: Shanghai Naya Intelligence Technology. Co.,Ltd.

Address: No.7001 Zhongchun RD., Shanghai, 201101, China

5 Using instructions of multi-repeaters networking



Note: The channel layout in this manual is for the installation solution reference only.

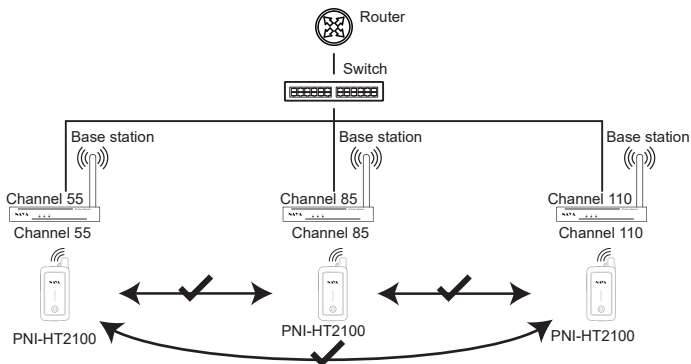
◆ In the multi-relay mode, please ask the dealers to pre-configure channels and networking parameters of multiple repeaters, and then the configured multiple repeaters can be connected through the network cable before powering on. At this time, the handheld terminal channel should be adjusted to the correct channel according to the requirements of the dealer.

◆ After the above configuration is completed, the handheld terminal can be powered on to conduct the conversation. All handheld terminals under different repeaters are interconnected.

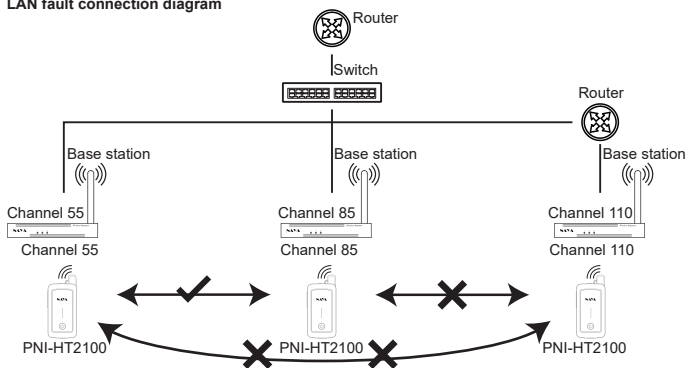
◆ If one handheld terminal moves from coverage of one repeater to the coverage of another repeater, its channel will automatically switch to the same channel of the repeater with a stronger signal for call, without manual switching.

6 LAN networking diagram of multi-repeaters

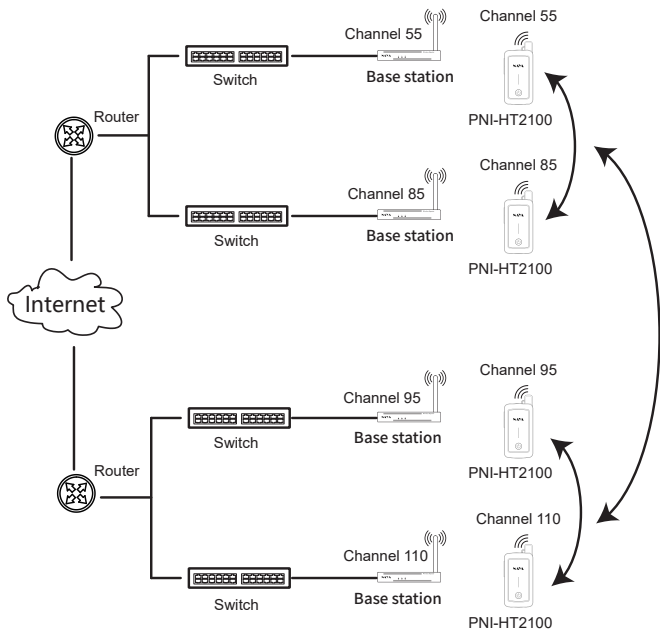
LAN proper connection diagram



LAN fault connection diagram



7 WAN networking diagram of multi-repeaters



Note: The channel layout in this manual is for the installation solution reference only.

- ◆ The port mapping function of the router is required for Wan connections. Mapping port number: 23457 (please contact the professional network engineer for setting).
- ◆ The public IP address must be a fixed IP, and the dynamic IP address cannot be used normally.
- ◆ Channel adjustments: if using other single relay channels, please contact the reseller.

Product parameters			
Product parameters	IP67	Modulation type	FSK/GFS
Output power	0.25W	Working style	wDR-8
Working temperature	-20°C-60°C	Working voltage	12V

8 Maintenance and cleaning

In order to ensure the good performance of this device and prolong its service life, please be familiar with the following contents for better maintenance and cleaning.

8.1 Maintenance

- ◆ Do not puncture or scratch the device with hard objects.
- ◆ Do not store the device in an environment that contains corrosive electronic circuits.
- ◆ Do not damage the antenna, the relevant marks of the product shall be kept clean and intact and shall not be torn up.

8.2 Cleaning

- ◆ Please clean the device regularly, and use a clean and dry towel or brush to remove the dust on the surface of the equipment.
- ◆ If the device casing is dirty, it can be cleaned with neutral detergent and non-woven fabric. Do not use detergent, alcohol or spray which will damage the device, make sure the device is completely dry, otherwise do not use it.

9 Quality commitment and maintenance terms

Naya promises that defects in material or workmanship under normal operating and maintenance conditions of all devices produced by our company, are covered by the warranty service specified below from the date of purchase.

- ◆ Scope and duration of warranty: 12 months
- ◆ Warranty application

◆ If you apply for product repair, please be sure to provide the company's product warranty card or a valid purchase invoice as proof of warranty. During the period, the relevant marks of the product shall be kept clean and intact and shall not be torn up.

10 No-warranty policy

If the following conditions occur, it is not covered by the warranty, maintenance and repair should be paid:

- ◆ Failure or damage caused by unauthorized dismantling, repair, modification, misuse, abuse, liquid infed, accident, use of non-original accessories.
- ◆ Out of warranty.
- ◆ Damage caused by force majeure.
- ◆ Any damage caused by failure to comply with the requirements of the manual and maintenance.
- ◆ The performance failure of products and accessories is caused due to human reasons.
- ◆ Malicious damage to warranty card content or fuselage information, including blurred damage, self-tearing and tampering, etc.
- ◆ Malicious damage to warranty card content or fuselage information, including blurred damage, self-tearing and tampering, etc.
- ◆ Products sold to Chinese mainland only be under national joint warranty service in Chinese mainland.

11 Warranty card

◆ In order to protect your rights and interests, please fill in it carefully and keep it properly as a certificate for maintenance.

Reseller information			
Model		Reseller	
Reseller		Contact telephone/E-mail	
User information			
User name		Contact telephone	
Address		E-mai	